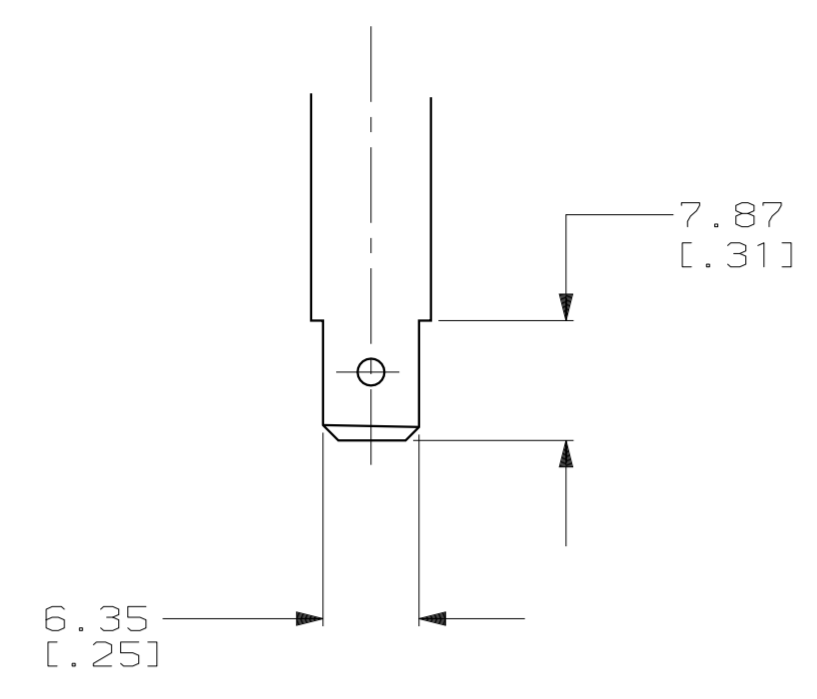
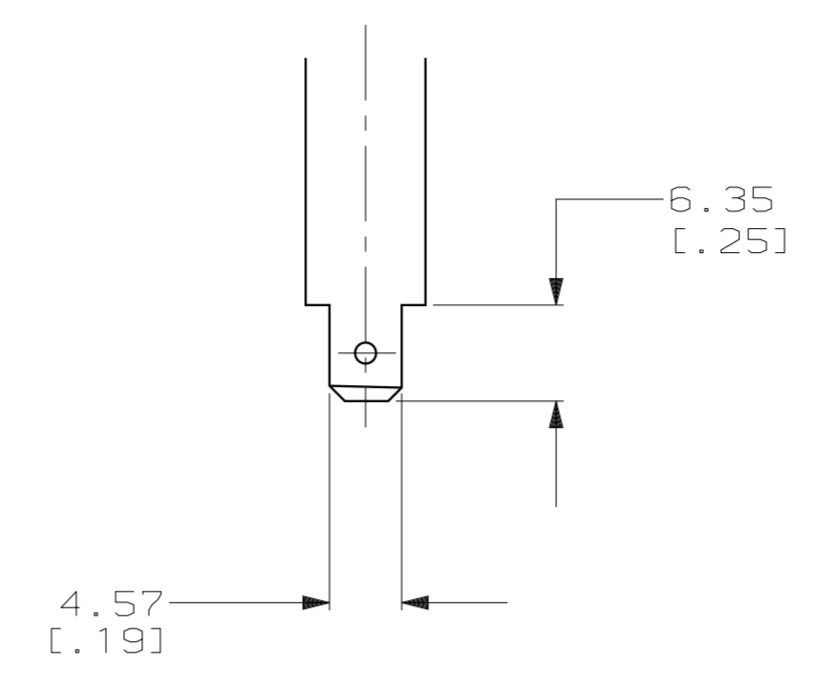


LOC		DIST		P		F		ZONE		LTR		REVISIONS	
LOC	DIST	P	F	ZONE	LTR	DESCRIPTION	DATE	APPD					
EY	25												
						D	REDRAWN, REV, EC0230-0306-94	11-15-94	GF				

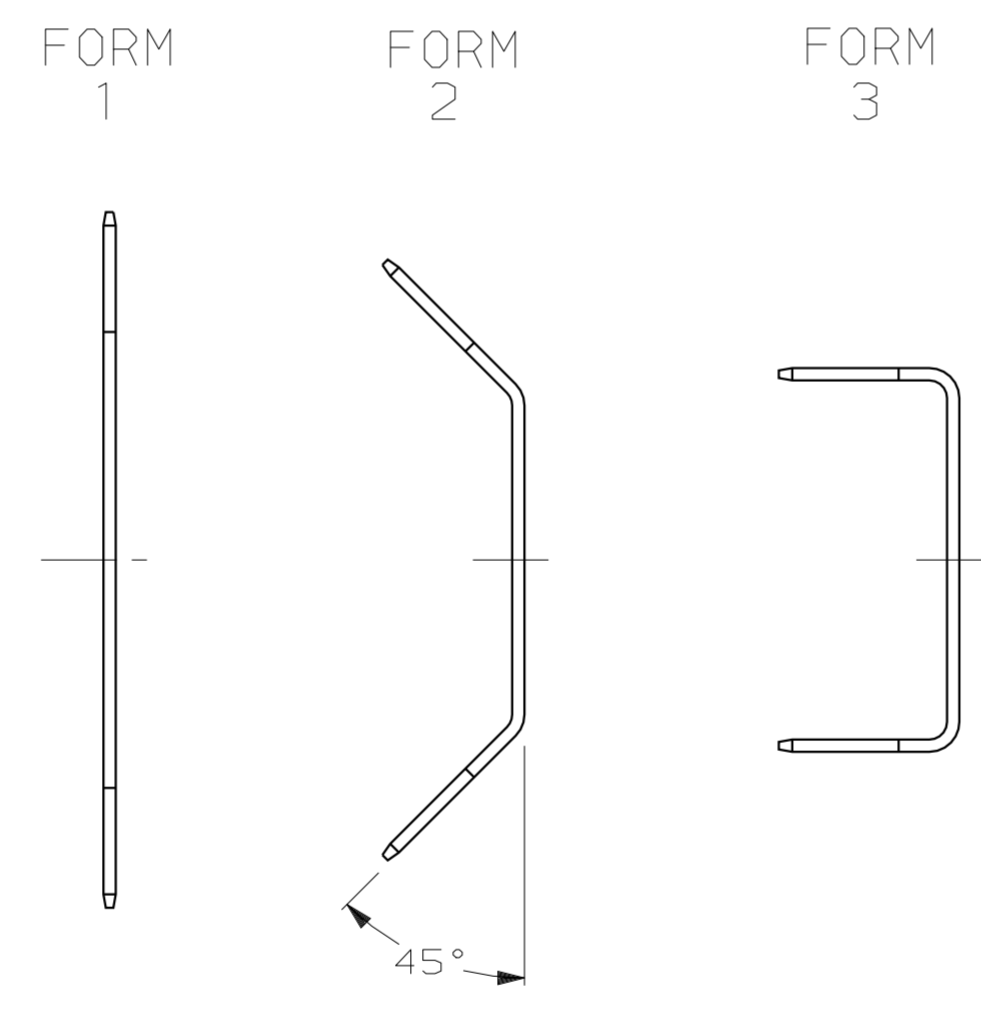
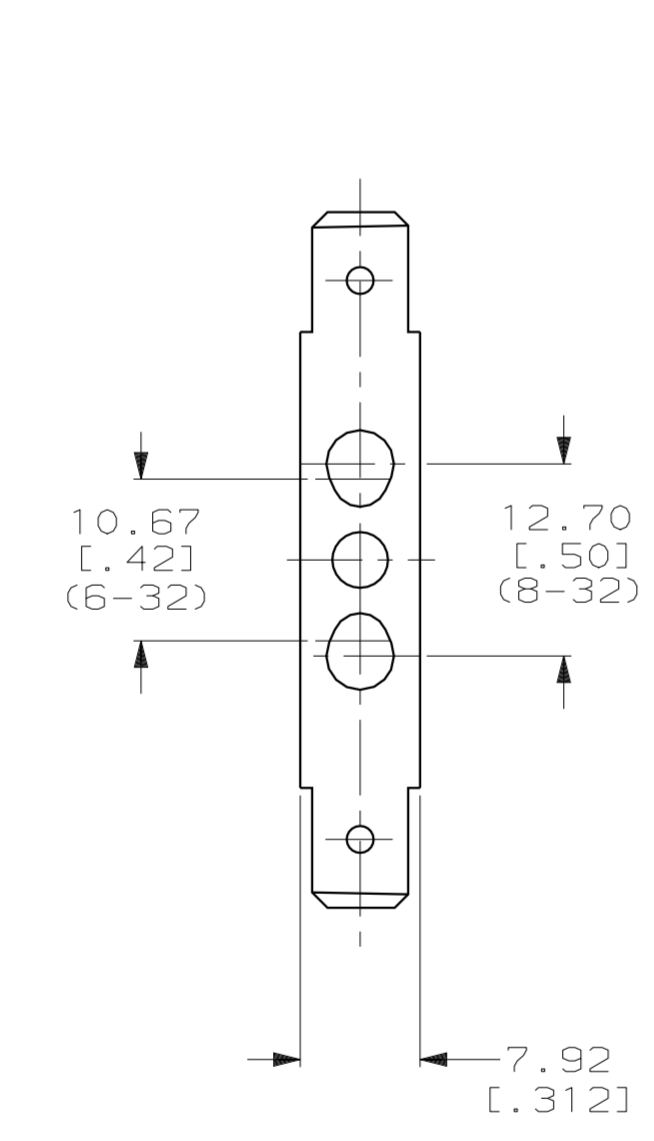


END 'A'
 .79
 [.031] THK.



END 'C'
 .51
 [.020] THK.

- ① PART NUMBER 3-601989-1 PACKAGED 100 PER CARTON.
- ② PART NUMBER 3-601989-2 PACKAGED 100 PER CARTON.
- ③ PART NUMBER 3-601989-3 PACKAGED 100 PER CARTON.



③	A	3	3-601989-3
②	A	2	3-601989-2
①	A	1	3-601989-1
-	C	3	1-601989-5
-	C	2	1-601989-4
-	C	1	1-601989-3
-	A	3	601989-3
-	A	2	601989-2
-	A	1	601989-1
PACKAGE	END	FORM	PART NO.

DO NOT SCALE PRINT. UNLESS SPECIFIED DIMENSIONS IN mm [INCHES]		DR 11-15-94 G. FOSTER		PART NO	
TOLERANCES UN : 2 PLC DEC ± .02 3 PLC DEC ± .005 ANGLES ± 0° 30'		CHK 12-2-94 N. JONES		AMP Incorporated Harrisburg, PA 17105-3608	
MATERIAL BRASS 70-30 1/2 HD		APPD 12-5-94 D. KAAT			
FINISH ELECTROTIN		APPD 12-6-94 F. HARNED		NAME FASTON TAB, DOUBLE END	
APPLICATION SPEC		SIZE D	CAGE CODE 00779	DRAWING NO C=601989	
WEIGHT		SCALE 2:1	SHEET 1 OF 2		

THIS DRAWING IS A CONTROLLED DOCUMENT FOR AMP INCORPORATED. IT IS SUBJECT TO CHANGE AND THE CONTROLLING ENGINEERING ORGANIZATION SHOULD BE CONTACTED FOR THE LATEST REVISION.